

# High Tech Projector

LED 10W | RGBW DMX512 | DC24 | IP66



## Technical Description

Special housing designs and high-quality optical components specifically for demanding visual tasks to provide enhanced visual comfort, discreet and compact aesthetically designed architectural outdoor spotlight. Ideal for glare-free accent lighting, floodlighting and wall washing in the outdoor area.

Luminaires with CREE cob or XP-E/G leds provide excellent light quality with highly precise light distribution, free of colour shifts and dis-tortion, special PCB layouts ensure the led modules are optimally matched to the optical system of the luminaires. emit more than 90% of their initial luminous flux until 50000 operating hours.

Corrosion-resistant ADC12 die-casting aluminium body gives the luminaire good thermal conductivity. and large area connections between the rear of the housing and the led s pcb ensure good heat conduction. Stainless steel screws, high strength 4mm toughened glass >92% light transmittance, extremely narrow to wide beam options, rotationally symmetric light.

Spike/Pole/Plate/Ceiling mounting version also available.

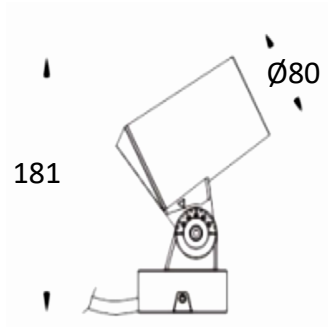
## specifications

Material	Die-cast Aluminium
Diffuser	Hight Strength 4mm toughned glass 92% Light Transmittance
Source Power Type	CREE-XP-G2
Source Power	10W
Lumen Output	120 lm/W
Real Flux	960 lm
Life Time	50000h L70 B10
Screws	Stainless Steel
CRI	82
Saftey Class	IK08
Finish	Anodized Black-Anodized Grey
Dimensions	D80xW128xH181mm
Elliptical Lens	30°
Protection Grade	IP66
MCADAMS	2
Labelling	CE

\*Available Upon Request

Beam Angle:15°/45°/60°

## Technical Dimensions



## Product Details



Graduations for adjustability



Vertical Tilttable



Hinge lockable



Mounting plate rotatable 355°



High colour rendering index



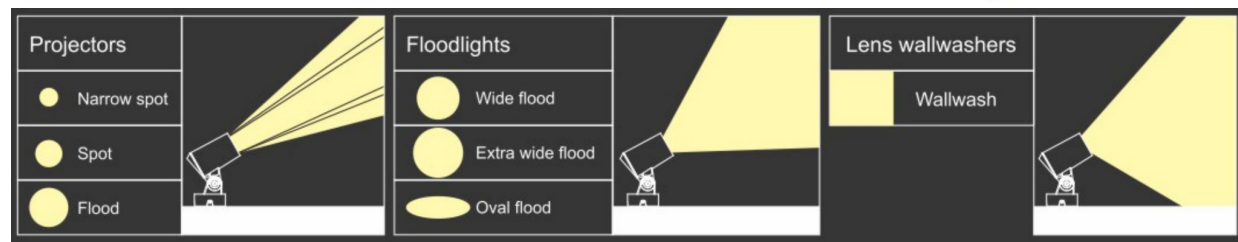
Excellent thermal management



Dimmable versions available



Optional housing colours



## Product Code

30°

RGB

Grey

BU117293

Black

BU117289