

## Surface Mounted Lamp

LED 24W | IP65



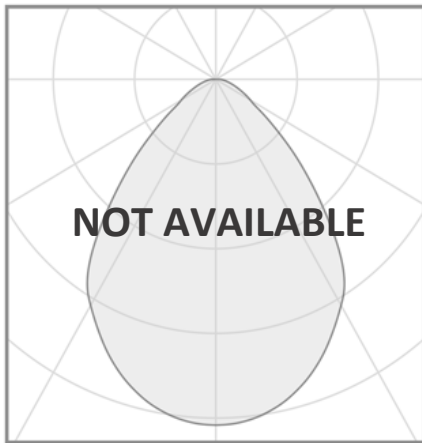
### Technical Description

Orbit Series is a surface mounted luminaire with a simple, timeless design. From the front it's a perfect circle, in profile the body and the diffuser are joined smoothly together in the same plane.

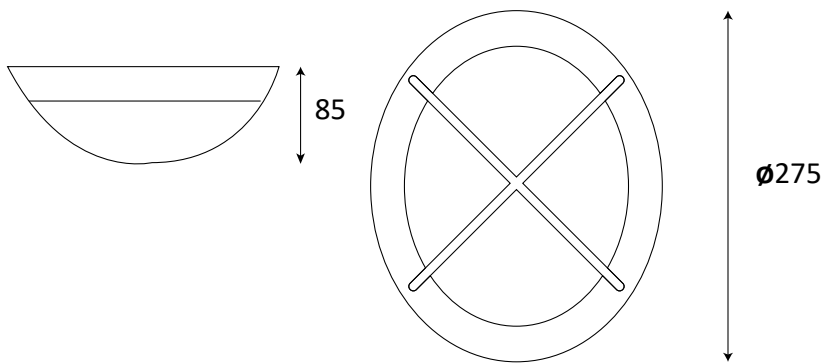
### specifications

Material	Die-cast Aluminum
Input Volt	AC220-240V/50-60Hz
Source Power Type	Epistar LED SMD2835/5630
Source Power	24W
Life Time	50000h L70 B10
Lumen Output	120 lm/W
Real Flux	2016 lm
CRI	82
Safety Class	III
Weight	1.2Kg
Power Supply Unit	600 mA
Finish	Textured White-Textured Black-Textured Grey
Dimensions	∅275xH85mm
Application	Surface Mounted
Elliptical Lens	120°
Protection Grade	IP65
MCADAMS	2
Labelling	CE

## Photometric Detail



## Technical Dimensions



## Product Codes

White	
	IP65
Temp.	120°
2700K	BU108764
3000K	BU108765
4000K	BU108766

Black	
	IP65
Temp.	120°
2700K	BU108768
3000K	BU108769
4000K	BU108770

Grey	
	IP65
Temp.	120°
2700K	BU108772
3000K	BU108773
4000K	BU108774